

Features

For use with Simplex® 4100ES, 4100U and 4010ES Fire Alarm Control Panels providing IDNet™ communications

Addressable communications supply both data and power over a single wire pair to provide:

- Supervised Class B monitoring of normally closed or normally open dry contact security devices
- Monitored conditions are Open, Normal, Abnormal, and Short
- Abnormal occurs with $\pm 50\%$ of monitor loop current change
- Total wiring distance from Security IAM to supervised contacts up to 500 ft (152 m)

Compact, sealed construction:

- Enclosed design minimizes dust infiltration
- Mounts in a standard single gang electrical box
- Screw terminals for wiring connections
- Visible LED flashes to indicate communications
- Optional covers are available to allow LED to be viewed after installation (requires mounting bracket, ordered separately)

UL listed to Standard 1076

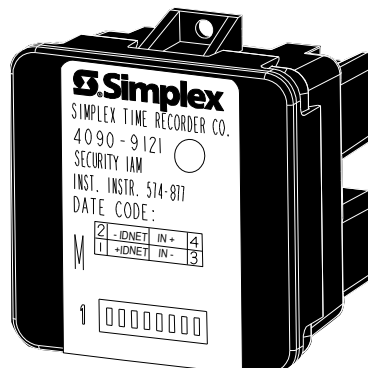
Description

Security Monitor IAM model 4090-9121 has both power and communications supplied by a two-wire 4100ES, 4100U or 4010ES IDNet circuit. It provides location specific addressability for up to five initiating devices (such as window or door magnet switch contacts or other similar security devices) by monitoring the circuit wiring connections to either normally closed or normally open dry contacts (one type per IAM).

Operation. When the circuit is “armed” by selection from the fire alarm control panel, such as during nonworking hours, monitor loop activity (short, open, or abnormal) causes a priority 2 alarm at the panel.

When the circuit is “disarmed”, such as during normal working hours, normal and abnormal conditions would be tracked as events. Depending on the point type selected, an open or short in the monitored circuit wiring will cause a trouble to be reported or a short can be tracked as an event.

* This product has been approved by the California State Fire Marshal (CSFM) pursuant to Section 13144.1 of the California Health and Safety Code. See CSFM Listing 7300-0026:252 for allowable values and/or conditions concerning material presented in this document. It is subject to re-examination, revision, and possible cancellation. Additional listings may be applicable; contact your local Simplex product supplier for the latest status. Listings and approvals under Simplex Time Recorder Co. are the property of SimplexGrinnell LP, Westminster.



4090-9121 Security Monitor IAM
(shown approximately full size)

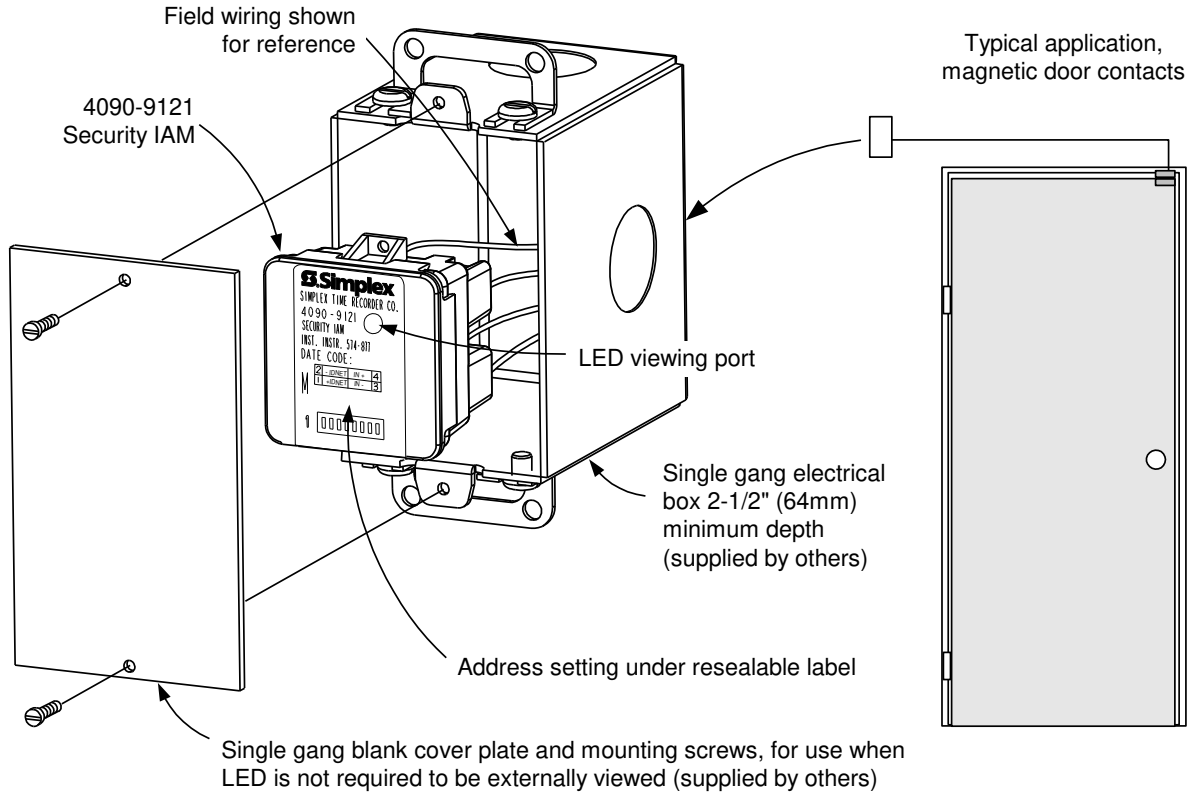
Product Selection

Model	Description	
4090-9121	Security Monitor IAM	
4090-9806	Semi-flush mount	Optional trim plate with LED viewing window, requires 4090-9810 mounting bracket, includes mounting screws; galvanized steel
4090-9807	Surface mount box	
4090-9810	Mounting bracket, mounts IAM to box, provides screw holes for trim plate, required for optional trim plates	
4081-9010 (733-973)	1 kΩ Resistor Harness, use for series connection to N.O. switches	
4081-9015 (733-093)	1.5 kΩ Resistor Harness, use for end-of-line resistor when connected to N.O. switches	
4081-9014 (733-092)	2.4 kΩ Resistor Harness, use for series and end-of-line resistor when connected to N.C. switches (2 required)	

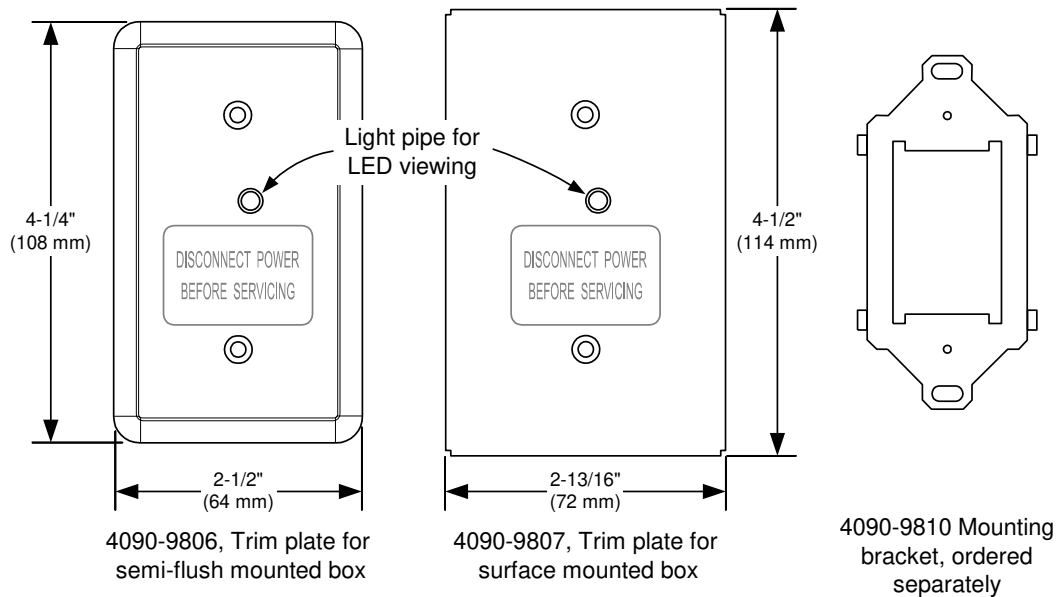
Specifications

Communications	4100ES/4100U/4010ES IDNet, one address	
Power Requirements	Consumes two (2) unit loads, power is supplied from the IDNet SLC (signaling line circuit)	
IDNet Channel Loading Reference	32 max. on a 64 pt. channel	(no other devices on the channel)
	63 max. on a 127 pt. channel	
	125 max. on a 250 pt. channel	
Monitored Contacts	Dry contacts, up to 5 in series for normally closed (N.C.), or up to 5 in parallel for normally open (N.O.), requires two resistor harnesses per wiring type selected (see above)	
Wire Connections	Screw terminals for in/out wiring, 18 to 14 AWG wire (0.82 mm ² to 2.08 mm ²)	
IAM to Contacts	500 ft (152 m) maximum, within same building	
IDNet Communications Distance	2500 ft (762 m) max. distance from control panel	
	10,000 ft (3048 m) maximum total wiring distance (including T-Taps)	
Dimensions	1-9/16" W x 1-3/4" H x 1-1/4" D (40 mm x 44 mm x 32 mm)	
Housing Material	Black thermoplastic	
Temperature	32° to 120° F (0° to 49° C) indoor operation only	
Humidity Range	Up to 93% RH at 100° F (38° C)	
Additional Information	Refer to Installation Instruction 574-877	

Mounting Information



Mounting Reference, Single Gang Blank Cover Plate



NOTE: These mounting plates require mounting bracket 4090-9810.

Optional Trim Plates and Mounting Bracket for Visible LED

Tyco is a registered trademark of Tyco International Services GmbH and is used under license. Simplex, the Simplex logo, and IDNet are trademarks of Tyco International Ltd. and its affiliates and are used under license.



SimplexGrinnell LP Westminister • Westminister, MA • 01441-0001 • USA

S4090-0004-6

www.simplexgrinnell.com

© 2011 Tyco. All rights reserved. All specifications and other information shown were current as of document revision date and are subject to change without notice.