

Features

Provides additional notification appliance circuit (NAC) capacity with flexible operation modes and power-limited design

Four, Class B NACs are standard:

- Rated 2 A each for conventional reverse polarity 24 VDC notification appliances and providing multiple operation modes.
- Can be selected to provide synchronization for Simplex visible notification strobe flashes.
- Capable of controlling TrueAlert non-addressable notification appliances operating with SmartSync two-wire control mode.

Input control options:

- IDNet addressable communications from a 4007ES, 4010, 4010ES, 4100U, or 4100ES Fire Alarm Control Panel. See note.
- Or from one or two conventional 24 VDC NACs with multiple output control options

IDNet communications control benefits:

- Provides status monitoring and individual NAC control using a single address per 4009 IDNet NAC Extender
- Supports IDNet "Device Level" earth fault location

WALKTEST operation is available with either input choice

Internal 8 A power supply/battery charger:

- Charges internal batteries up to 12.7 Ah or up to 18 Ah batteries in external cabinet
- Provides status monitoring of battery, input power, and earth faults
- Rated 8 A for "Special Application" appliances; including 4901, 4903, 4904, and 4906 Series horns, strobes, horn/strobes, and speaker/strobes
- Rated 6 A for "Regulated 24 DC" appliance power

Optional 4009 IDNet NAC Extender modules:

- IDNet Communications Repeater provides Class B or Class A output
- IDNet Communications Fiber Optic Receiver/Repeater, available as Class B or Class X
- Four additional Class B NACs, rated 1.5 A for Special Application appliances; 1 A for Regulated 24 DC appliance power
- Class A, Two Circuit Adapter Module

UL Listed to Standard 864

External Accessories

IDNet communication fiber optic transmitters:

- For applications requiring the data integrity available with fiber optic communications
- Available as Class B or Class X
- Mounts in standard six-gang electrical box

External battery cabinet for 18 Ah batteries

Introduction

ADA compliance. Complying with the notification requirements of ADA (Americans with Disabilities Act) may require more notification appliance power than is available within the fire alarm control panel. When additional power is required, a 4009 IDNet NAC Extender can provide up to 8 A of NAC power with up to eight, supervised reverse polarity NACs.

Location flexibility. The 4009 IDNet NAC Extender can be mounted close to a compatible dedicated host panel or can be located remotely for convenient power distribution. Multiple operation modes and multiple connection options further increase location flexibility.

Additional information. For additional operation detail and application information, refer to *Installation Instructions 574-181* and *field wiring diagram 842-068*.

Note: 4100U requires revision 11 software or higher for compatibility. 4010 requires revision 2 software or higher for compatibility.

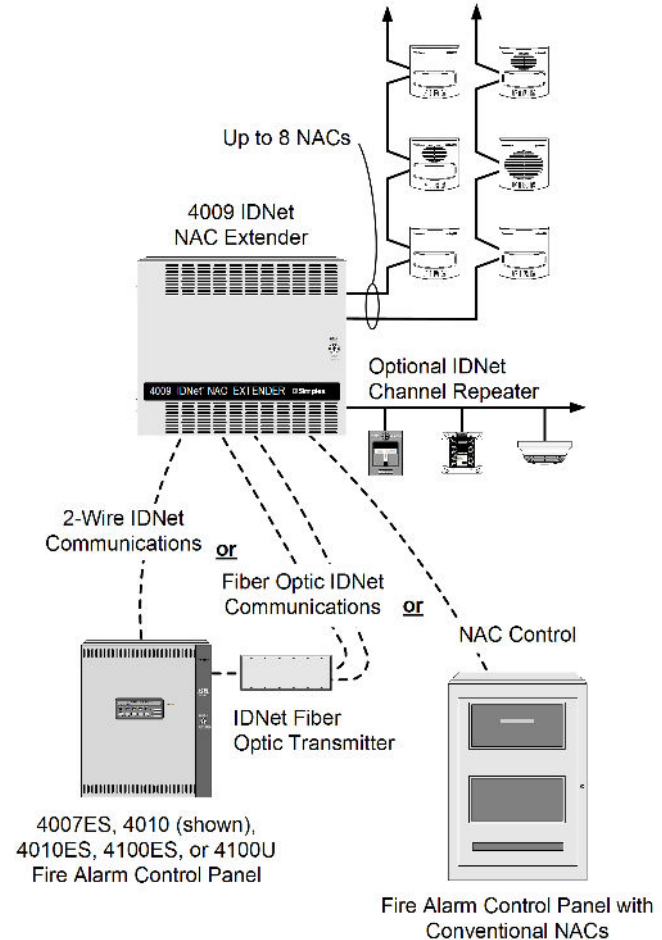


Figure 1: 4009 IDNet NAC Extender connection reference drawing

Application and operation information

IDNet addressable communications compatible. Up to 10, 4009 IDNet NAC Extenders can be controlled for each 4007ES, 4010ES, 4100U, or 4100ES IDNet communications channel; up to 5 can be controlled on the 4010 IDNet communications channel. Each output NAC can be individually controlled for general alarm or selective area notification requiring only one point address for each Extender. Individual Extender NACs can also be manually controlled from the host panel. IDNet controlled extenders will inform the host panel of troubles using IDNet communications. 4007ES, 4010ES, 4100ES, and 4100U control panels control using multi-point rules, refer to data sheet [S4090-0011](#) for details.

Optional IDNet repeaters. IDNet communications can be repeated with the optional IDNet Repeater Module or with the optional Fiber Optic Receiver Module. Up to 100 of the IDNet channel points can be repeated once (refer to [Typical IDNet connection example](#) and [4009 IDNet NAC Extender specifications](#) for details). Repeated IDNet communications also support the "device level" earth fault location utility of the host panel.

Hardware control applications. For applications where an existing (or new) conventional NAC needs additional power, the 4009 IDNet NAC Extender can be controlled directly from the NAC. Either one or two NACs, from either the same, or from different host fire alarm control panels, can be connected to control the 4009 IDNet NAC Extender output NACs. Multiple control selections provide flexible operation. (See [Hardware Control Connection Information](#) for more detail.) Alarms from the host panel will activate the four, 4009 IDNet NAC Extender NACs (or optionally, 8 NACs) to extend the alarm.

The 4009 IDNet Extender monitors itself and each of its output NACs for trouble conditions, including earth faults. Extenders wired to conventional NACs will indicate a trouble by opening the path to the NAC's end-of-line resistor, but retaining the ability to respond to alarms. Individual troubles are also annunciated by LEDs located on the 4009 IDNet NAC Extender main circuit board. Refer to [Service diagnostic features](#) for more diagnostic information.

Product selection

Table 1: Standard models

Model	Description	Comments
4009-9201**	120 VAC input	4009 IDNet NAC Extender with 4, Class B NACs and 8 A power supply
4009-9301	240 VAC input	
4009-9202CA (ULC listed model)	120 VAC input	
** 4009-9201 has been seismic tested and is certified to IBC and CBC standards as well as to ASCE 7 categories A through F, requires battery brackets as detailed on data sheet S2081-0019		

Table 2: Optional modules (for on-site installation)

Model	Description	Comments
4009-9807	Additional four point NAC module, rated 1.5 A Special Application appliances; 1 A for Regulated 24 DC appliance power, Class B	1 maximum
4009-9808	Dual Class A adapter (for two NAC outputs)	Select as required (4 maximum)
4009-9809	IDNet Repeater, output is Class A or Class B	Select either an IDNet Repeater or a Fiber Optic Receiver as required; one transmitter can connect to one receiver
4009-9810	Fiber Optic Receiver	Class B
4009-9811		Class A (IDNet), Class X (fiber)
4009-9805	Red Appliqué for door	Select if required
2975-9801	Semi-Flush Trim Kit	1 7/16 in. wide (78 mm), use if required for semi-flush installations
2975-9802		Red trim

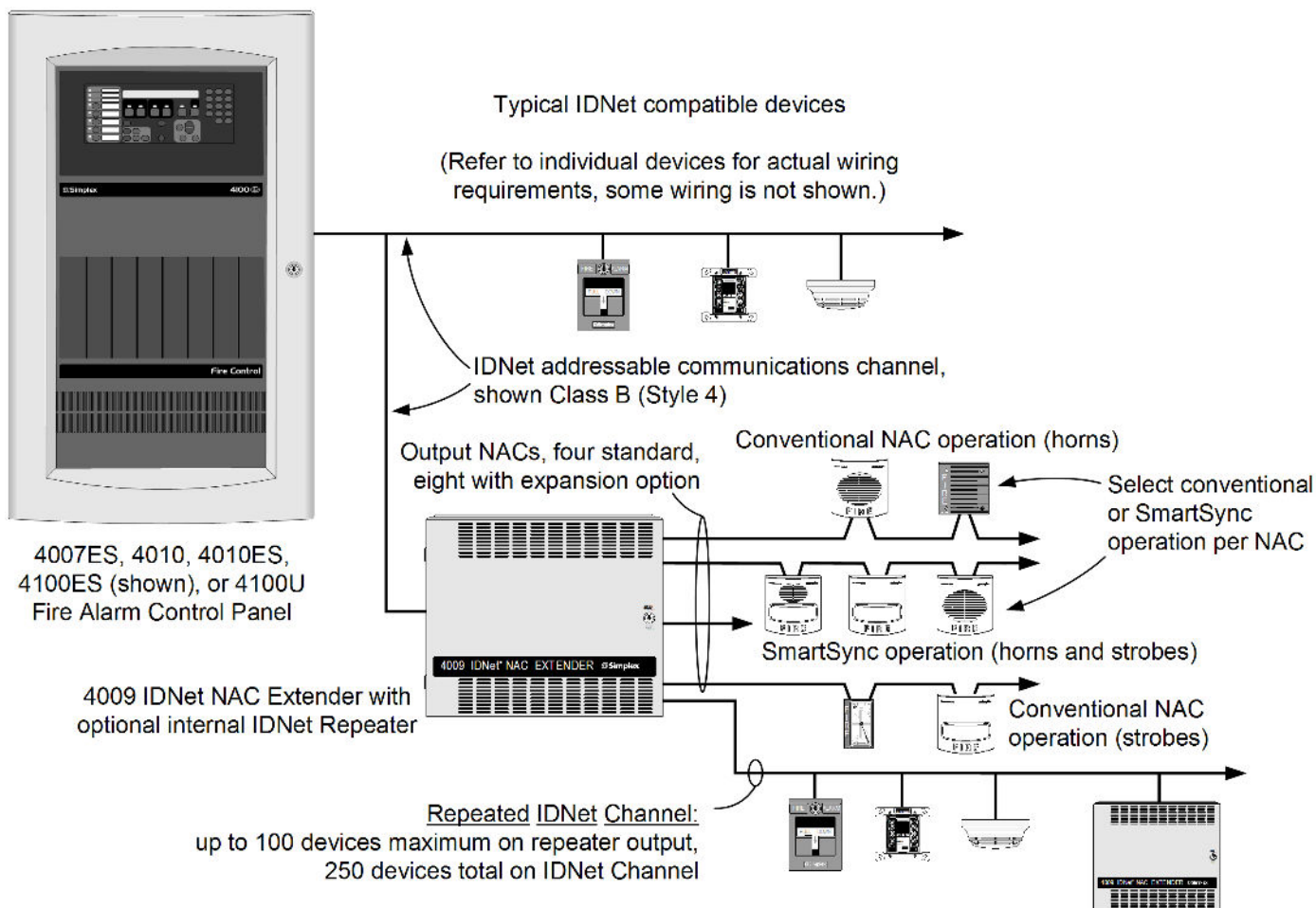
Table 3: Battery selection (select battery size using system requirements)

Model	Description	Comments
2081-9272	6.2 Ah Battery, 12 VDC	Two batteries are required, 24 VDC operation
2081-9274	10 Ah Battery, 12 VDC	
2081-9288	12.7 Ah Battery, 12 VDC	
2081-9275	18 Ah Battery, 12 VDC	Requires external battery cabinet, two batteries are required, 24 VDC operation

Table 4: External accessories (select using system requirements)

Model	Description	Comments
4090-9105	IDNet Fiber Optic Transmitter	Class B operation
4090-9107		Class X operation
		Mounts in six-gang electrical box, refer to 4090-9105/9107 IDNet fiber optic transmitter mounting information for mounting details
		Note: Class B Fiber Transmitter Rev C or higher, IS NOT COMPATIBLE with Class B Fiber Receiver before Rev J.
4009-9801	External battery cabinet for up to 18 Ah batteries, beige	16-1/4 in. W x 13-1/2 in. H x 5-3/4 in. D (413 mm x 343 mm x 146 mm)
4081 series	End-of-Line resistor harnesses; see data sheet S4081-0003 for details	

Typical IDNet connection example



IDNet devices and additional 4009 IDNet NAC Extender(s)

Figure 2: Typical IDNet connection example

Note: Up to 10 4009 IDNet NAC Extenders may be connected using 4007ES, 4010ES, 4100U, or 4100ES IDNet channel, up to 5 on the 4010 IDNet channel. IDNet communications can be repeated only once (can pass through only one series connected repeater or one fiber optic receiver).

Typical fiber optic system connections

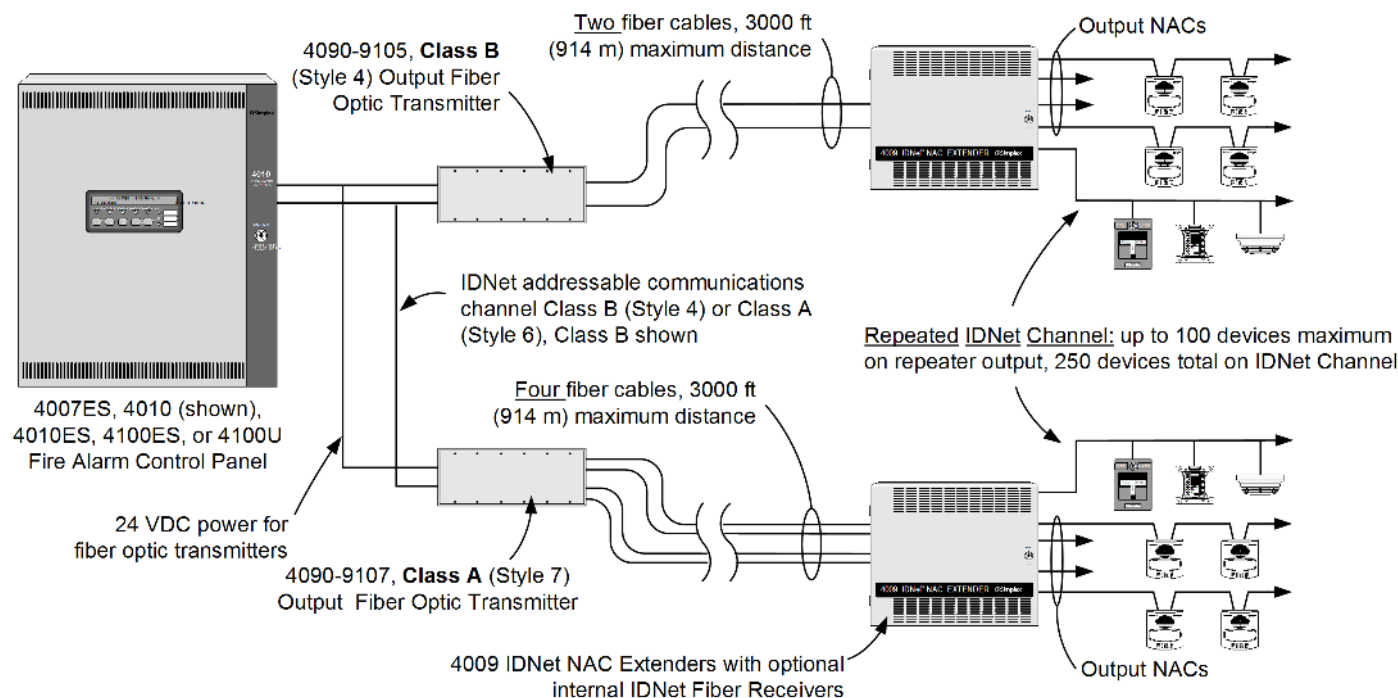


Figure 3: Typical fiber optic system connections

Note: Up to 10 4009 IDNet NAC Extenders may be connected per 4007ES, 4100ES, or 4010ES. Up to 5 4009 IDNet NAC Extenders may be connected on the 4010 IDNet channel. IDNet communications can be repeated only once (can pass through only one series connected repeater or one fiber optic receiver). Fiber optic transmitters connect to only one receiver in a 4009 IDNet NAC Extender.

Hardwire Control Connection Information

NAC Input Selections. The 4009 IDNet NAC Extender can be selected to:

- Track input NAC operation **or** to provide a locally generated code, selectable using NAC input.
- If selected for local coding, NAC outputs can be either **Temporal Coded** or **60 Beats/min March Time Coded**, one code selection per extender (input NACs must be on continuous with Alarm).
- Additionally, NAC outputs can be selected to provide the Simplex strobe synchronization signal. This signal will synchronize the flashes of synchronized strobes but will be ignored by free-run strobes and audible devices. (Strobes are for operation by noncoded NACs.)

NAC input to NAC output control can be selected for standard and optional NACs per the following table:

Table 5: Conventional NAC Output Operation Options

Input	A	B	C
NAC 1	NACs 1 and 2, 5 and 6	NACs 1 - 4	NACs 1 - 8
NAC 2	NACs 3 and 4, 7 and 8	NACs 5 - 8	-

Table 6: SmartSync NAC Output Operation

Input	NAC Control Function	
NAC 1	Strobe Control	All NAC outputs (1 - 8)
NAC 2	Horn Control	

SmartSync Notification Appliance Control

The TrueAlert Notification Appliance product line includes addressable and non-addressable operation. Non-addressable models are available with 2-wire SmartSync operation or conventional 4-wire operation. The following details apply to use with the 4009 IDNet NAC Extender:

- TrueAlert non-addressable models with SmartSync operation allow audible notification to be separately controlled over the same wire pair that controls visible notification.
- 4009 IDNet NAC Extenders can be selected to provide SmartSync operation whether controlled by IDNet communications or conventional NACs.
- IDNet control allows output NACs to be **individually selected** for conventional **or** SmartSync operation.
- With NAC input control, **all** output NACs are selected for either conventional **or** SmartSync operation.
- Refer to data sheet *S4009-0003* for TrueAlert Addressable operation details, contact your local Simplex product supplier for further information on specific TrueAlert notification appliances.

Hardwire control NAC connection one-line reference diagram

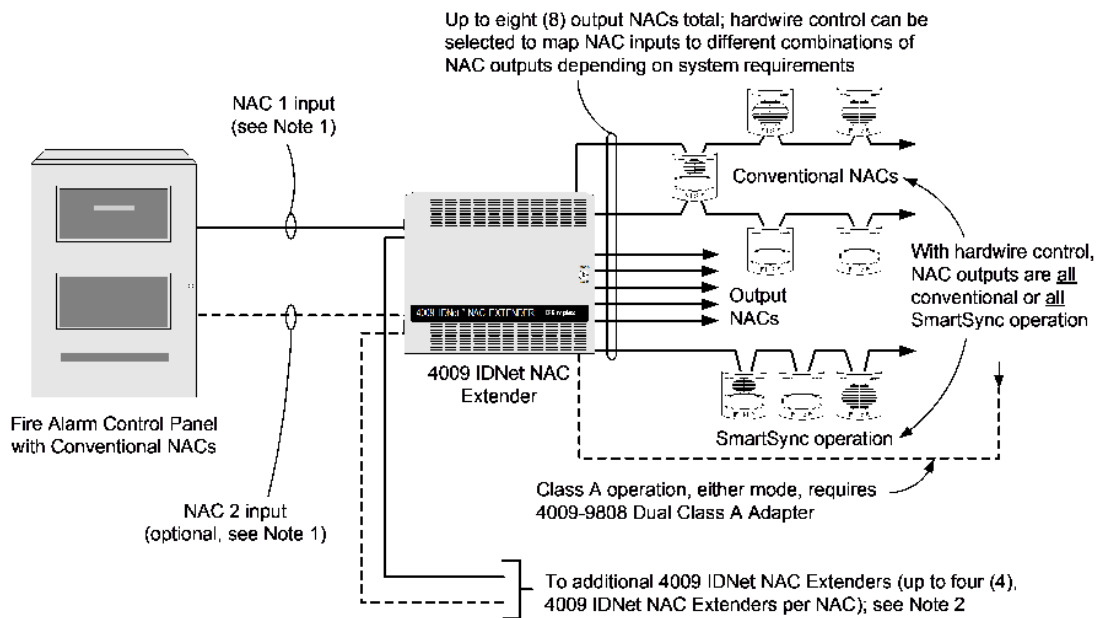


Figure 4: Hardwire control NAC connection one-line reference diagram

Note:

1. For separate audible and visible output NAC control, or SmartSync NAC output operation, 2 input NACs are required. NAC 1 is "on-until-reset" and NAC 2 is "on-until-silenced".
2. To synchronize strobe flash outputs for up to 4 4009 IDNet NAC Extenders, use the synchronized strobe output from a Synchronized Flash Module (4905-9914 for Class B operation, 4905-9922 for Class A operation) or, if available, from a NAC selected to provide synchronized strobe flash output. **NOTE: DO NOT USE a NAC selected for SmartSync operation for this function.**

Refer to Installation Instructions *574-181* for additional information and application guidance.

4009 IDNet NAC Extender specifications

Table 7: Input ratings

Specification	Rating
120 VAC input (4009-9201)	3A @ 102 VAC -132 VAC, 60 Hz
240 VAC input (4009-9301)	1.5A @ 204 VAC -264 VAC, 50 Hz /60 Hz
Hardwire control from external NACs, input requirements	Conventional reverse polarity operation
	5 mA maximum; 16 VDC to 33 VDC

Table 8: Output ratings

Specification	Rating
Total rating	8 A, Special application appliances 6 A, regulated 24 DC appliance power
Standard NACs	2 A each, special application or regulated 24 DC appliance power
Optional NACs (requires 4009-9807)	1.5 A each, Special Application appliances 1 A each, Regulated 24 DC appliance power
Special application appliances	Simplex non-addressable horns, strobes, and combination horn/strobes and speaker/strobes (contact your Simplex product representative for compatible appliances)
Regulated 24 DC appliances	Power for other UL listed appliances; use associated external synchronization modules where required
Strobe operation	Up to 33 strobes for each NAC can be synchronized; output NACs configured for Simplex synchronized strobe operation are synchronized to each other
Auxiliary output	500 mA @ 24 VDC nominal

Table 9: Optional modules ratings

Specification	Rating	
IDNet Repeater Module (4009-9809)	Input power	70 mA @ 24 VDC, system supplied
	IDNet input, one address	Maximum distance from IDNet source is 2,500 ft (762 m)
	IDNet output specifications	Repeated IDNet output for up to 100 devices (total IDNet devices not to exceed 250 for each channel)
		Maximum distance to farthest device is 2,500 ft (762 m)
		Total distance including "T-taps" is 10,000 ft (3048 m)
	Class A loop maximum distance is 2,500 ft (762 m), no "T" taps	

Table 10: Fiber optic receiver modules

Specification	Rating
Input current	4009-9810 , Class B, 65 mA @ 24 VDC, system supplied
	4009-9811 , Class X, 80 mA @ 24 VDC, system supplied
IDNet output specifications	Same as those for repeater module
Fiber optic transmission distance	3000 ft (914 m) maximum

Table 11: General specifications

Specification	Rating
Operating temperature	32° F to 120° F (0° C to 49° C)
Operating humidity range	10% to 90% RH from 32° F to 104° F (0° C to 40° C)
Wiring Connections*	Terminal blocks for 18 AWG (stranded) to 12 AWG (solid)
Note: * Metric wire equivalents: 18 AWG = 0.82 mm ² ; 12 AWG = 3.31 mm ²	

Fiber optic transmitter specifications

Table 12: Fiber optic transmitter specifications

Specification	Rating
Input voltage	18.9 VDC -32 VDC from compatible listed fire alarm supply
Input current	4090-9105, Class B, 30 mA @ 24 VDC
	4090-9107, Class X, 35 mA @ 24 VDC
Fiber optic connections and cable requirements	Multimode, graded index, 50/125µm, 62.5/125 µm, 100/40 µm, or 200 µm
	Type ST connectors
	4090-9105, Class B operation, two fiber cables required 4090-9107, Class X operation, four fiber cables required
Module size (with mounting bracket)	6-13/16 in. W x 3-3/4 in. H x 1-1/8 in. D (173 mm x 95 mm x 29 mm)
On-board status indicators	Green LED flashing = transmit
	Red LED flashing = receive
	Separate red LED on 4090-9107 = Class X receive
Communications	Simplex IDNet
Fiber optic transmission distance	3000 ft (914 m) maximum
Wiring connections*	Terminal blocks for 18 AWG (stranded) to 12 AWG (solid)
Operating humidity	10% to 90% RH from 32° F to 104° F (0° C to 40° C)
Operating temperature	32° F to 120° F (0° C to 49° C)
* Metric wire equivalents: 18 AWG = 0.82 mm ² ; 12 AWG = 3.31 mm ²	

4009 IDNet NAC Extender mounting and module placement information

Additional four point module shown model 4009-9807 .

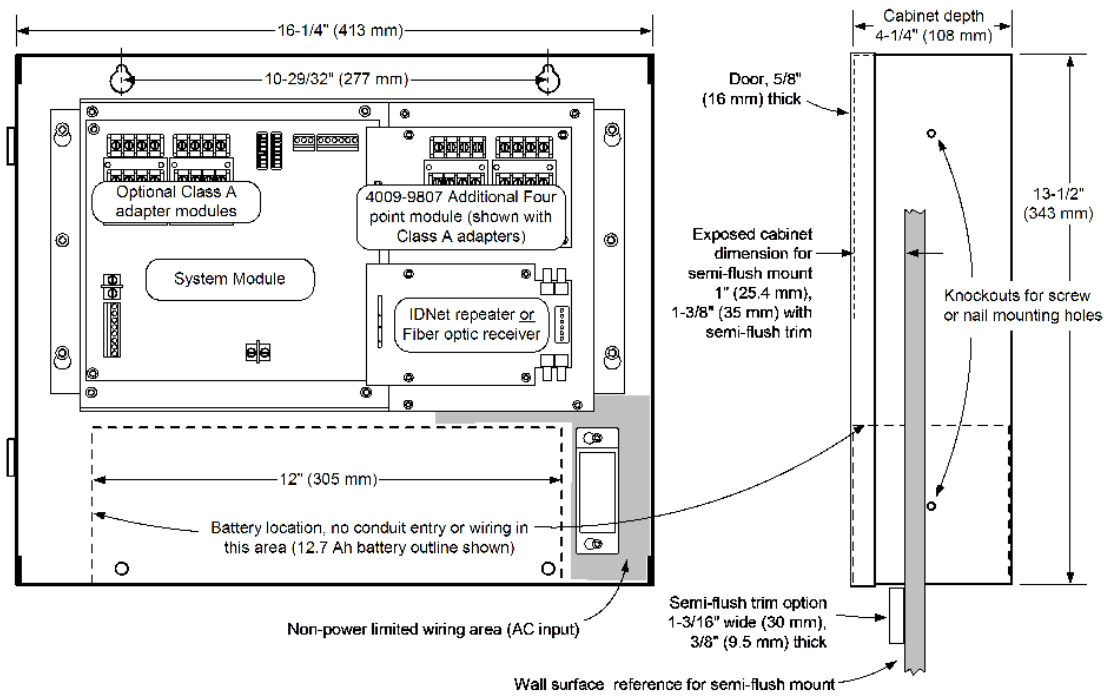


Figure 5: 4009 IDNet NAC Extender mounting and module placement information

Note: Recommended conduit entrance varies with module selection. Refer to general installation instructions 574-181, specific module installation instructions, and to field wiring diagrams 842-068 before locating conduit entrance.

4009 IDNet NAC extender cabinet with door detail

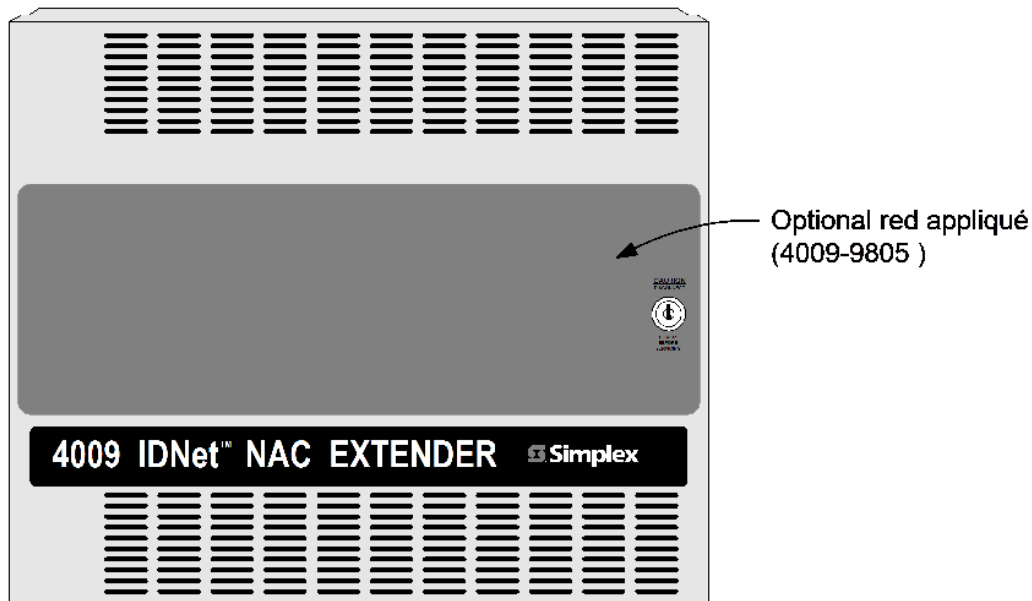
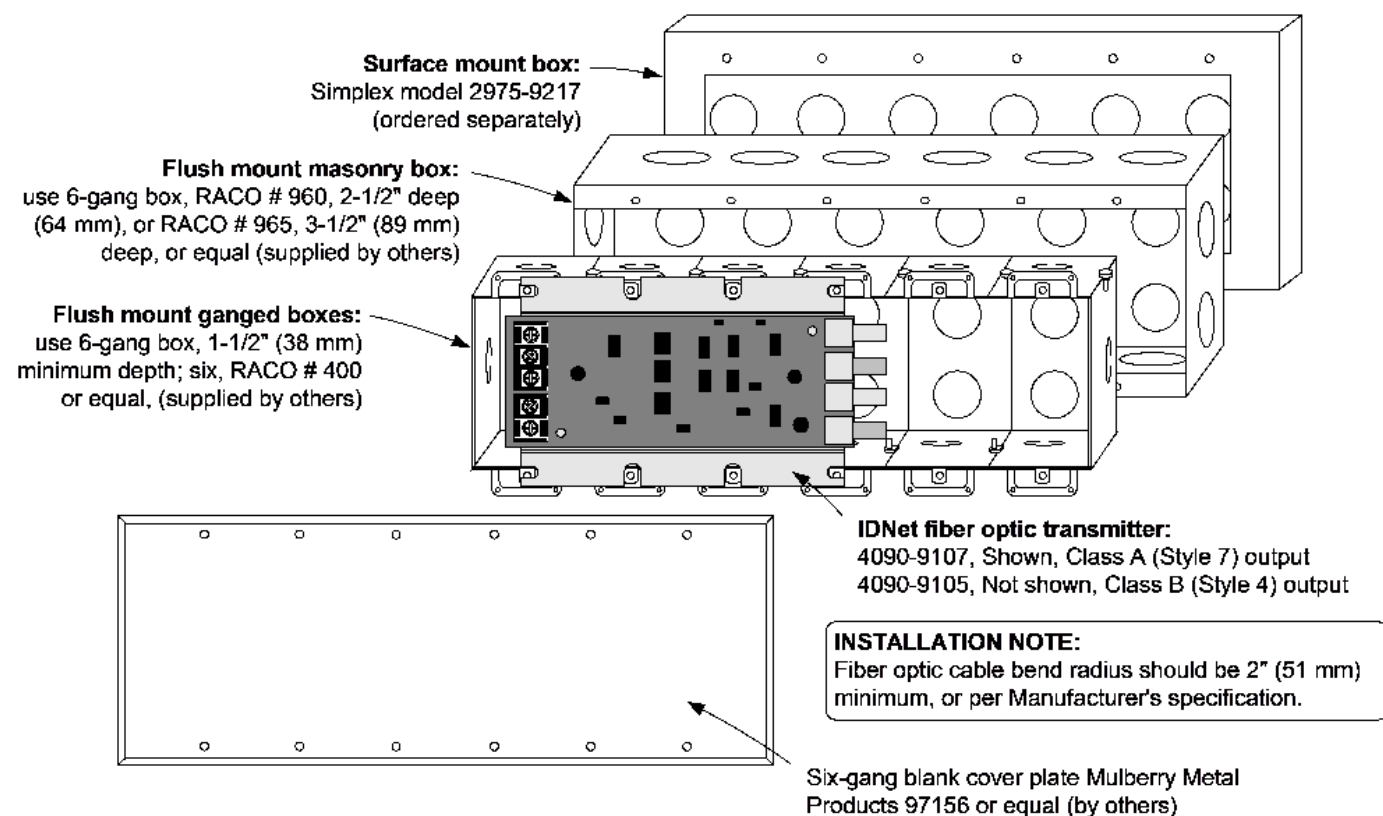


Figure 6: 4009 IDNet NAC extender cabinet with door detail

4090-9105/9107 IDNet fiber optic transmitter mounting information



Service diagnostic features

Power-up self-diagnostics. Upon power-up, the 4009 IDNet NAC Extender tests each module and performs earth fault diagnostics. Trouble conditions are communicated to the host control panel and are also displayed on diagnostic status LEDs in the 4009 IDNet NAC Extender. When connected via IDNet communications, detailed status information is available at the host. When controlled with conventional NAC inputs, common troubles are signaled by providing a polarized open circuit that disconnects the NAC wiring from its end-of-line resistor but still allows a reversed polarity alarm to be received.

Door mounted reference label. The 4009 IDNet NAC Extender has a detailed programming and diagnostic label inside the front door that provides a quick reference for both installation and checkout.

LED Status Indicators are provided for the following:

- **Each NAC** (standard and optional) has a dedicated yellow LED that:
 - During supervision provides a slow flash to indicate a short circuit condition and a fast flash to indicate an open circuit.
 - During an alarm, the LED follows the NAC output (on steady or flashing with coded output).
- **Four, general status yellow LEDs** provide nine separate indications listed in priority of urgency. As a trouble is eliminated, any remaining trouble will then be indicated until the 4009 IDNet NAC Extender is returned to normal operation.
- **AC power status** is indicated by a green LED that is on when AC is normal. During low AC (brownout) conditions or with no AC, the LED is off. Additional power and battery status is indicated by the general status LEDs.

4009 IDNet NAC extender current calculation chart

Step 1. Calculate the basic extender battery requirements (minus NAC loads)

Panel, NAC Options, and Auxiliary Power (underlined model numbers are optional modules).

Model	Description	Supervisory current	Actual supervisory	Alarm current	Actual alarm
4009-9201	120 VAC input	Basic Panel	85 mA	85 mA	185 mA
4009-9301	240 VAC input				
4009-9807	Additional four point NAC	40 mA	+ _____	40 mA	+ _____
4009-9808	Dual class A adapter (no additional current)	-	-	-	-
Auxiliary power output		(500 mA maximum)	+ _____	(500 mA maximum)	+ [A1] _____
Basic panel supervisory current			= [S1] _____		
Basic panel alarm current					= [A2] _____

Step 2. Calculate IDNet output module and device current (if used)

4009-9809	IDNet Repeater	Select one for each extender	70 mA	+ _____	70 mA	+ _____
4009-9810 *	Fiber Optic Receiver, Class B		65 mA		65 mA	
4009-9811 *	Fiber Optic Receiver, Class X		80 mA		80 mA	
IDNet devices (connected to repeater or receiver above), 0.7 mA each, maximum of 100			Total devices x 0.7 mA each	+ _____	Total devices x 0.7 mA each	+ _____
Note: IDNet Fiber Optic Transmitter current is supplied from the host fire alarm control panel		IDNet module supervisory current	[S2] = _____			
		IDNet module alarm current				= [A3] _____
<u>Step 2. Calculate available NAC current</u>			Maximum available current		= 8 A*	
			Subtract auxiliary power output		- [A1] _____	
			Subtract IDNet module current		- [A3] _____	
* 8 A for special application appliances; 6 A for regulated 24 DC appliances			Available NAC current		= [A4] _____	

Step 3. Calculate actual NAC loading (Limited to available NAC current per Step 2.)

NAC type	NAC circuit #	NAC alarm current
Standard panel NACS , 2 A maximum for each NAC	Circuit 1	+ _____
	Circuit 2	+ _____
	Circuit 3	+ _____
	Circuit 4	+ _____
Optional four point NAC module , 1.5 A maximum special application rating, 1 A maximum regulated 24 DC rating, per NAC	Circuit 5	+ _____
	Circuit 6	+ _____
	Circuit 7	+ _____
	Circuit 8	+ _____
Total actual NAC load alarm current		= [A5] _____

Step 4. Calculate total supervisory current

Total supervisory current = Basic panel current [S1] + IDNet Module current [S2] = _____

Step 5. Calculate total alarm current

Total alarm current = Basic panel current [A2] + IDNet module current [A3] + actual NAC Current [A5] = _____