

Features

Six point operation provides four supervised multi-state inputs and two relay outputs in a single package using only one address:

- For use with Simplex® 4100ES, 4010ES, or 4100U Fire Alarm Control Panels providing IDNet communications (4100U requires software revision 11 or higher)
- Typical applications include fan motor control centers, monitoring fire pump motor running status, low pressure fuel warnings, and for multiple dual damper position feedback monitoring

Input/Output details:

- Four “T-Sense” inputs provide supervised monitoring of normally open, dry contacts
- Status conditions are Normal, Open Circuit (trouble condition), Current Limited (position input 1), and Short (position input 2)
- Total wiring distance to supervised contacts is up to 500 ft (152 m); for indoor wiring applications
- Two relay outputs with Form C contacts rated 2 A @ 30 VDC, and 0.5 A @ 120 VAC (resistive ratings)

Compact construction:

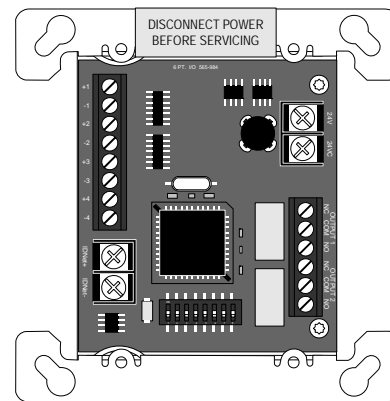
- Mounts in standard 4” square electrical box
- Visible LED flashes to indicate communications
- Optional covers are available to allow LED to be viewed after installation
- Screw terminals for wiring connections

UL Listed to Standard 864

Description

Single Address Six Point Module. The 4090-9120 Six Point Module allows a Simplex 4100ES, 4010ES, or 4100U IDNet communication channel to monitor **four** T-sense input circuits and control **two** output relays from a single compact module requiring a single address. Power is supplied by a 24 VDC connection to a listed fire alarm power supply.

Multi-Point Device Description. The input circuits and output relay operation are controlled independently and may be disabled separately. Point association is determined at the host panel. At the host panel display, the device address is designated as a single hardware location (such as 1-1). Each of the six individual points appear as “sub-points” and are layered underneath (such as 1-1-1, 1-1-2, 1-1-3,1-1-6).



4090-9120 Six Point Module
(shown approximately 1/2 size)

T-Sensing Operation

Supervised Input. Each of the four input circuits monitors for continuity to an end-of-line resistor and can differentiate between a short circuit contact closure and a current limited contact closure.

Four State Operation. **Normal** is when all contacts are open and there is continuity to the end-of-line resistor; **Open** is when continuity does not exist to the end-of-line resistor, causing a Trouble condition; **Short**, indicates that a contact has closed that is directly connected to the input circuit; and **Current Limited** indicates that a contact has closed beyond a series connected current limiting resistor. This operation allows differentiation between two different contact types due to their wiring location, and reporting as a single IDNet addressable point to a 4100ES, 4100U, or 4010ES fire alarm control panel.

Typical Applications

Efficient Package. For smoke control applications, this module provides an efficient package for fan damper control with position feedback. Monitor points can be connected to two separate status indicator switches per circuit, allowing the host panel to track fan damper status with respect to the requested fan control operation.

General Applications. The monitor and control points can be applied for a variety of associated or independent operations. Flexible programming abilities at the host panel can provide the association logic required for a wide variety of fire or utility operations.

* This product has been approved by the California State Fire Marshal (CSFM) pursuant to Section 13144.1 of the California Health and Safety Code. See CSFM Listing 7300-0026:311 for allowable values and/or conditions concerning material presented in this document. Accepted for use – City of New York Department of Buildings – MEA35-93E. Additional listings may be applicable; contact your local Simplex product supplier for the latest status. Listings and approvals under Simplex Time Recorder Co. are the property of Tyco Fire Protection Products.

Product Selection

Model	Description
4090-9120	Six Point Module
4090-9801	For semi-flush mounted box
4090-9802	For surface mounted box

Optional trim plate with LED viewing window, includes mounting screws; galvanized steel

End-of-Line Resistor Harnesses (ordered separately as required)

Model	Reference No.	Description
4081-9004	733-886	6.8 kΩ, 1/2 W; Standard end-of-line resistor harness for N.O. contact supervision
4081-9003	733-896	4.7 kΩ, 1/2 W
4081-9005	733-984	1.8 kΩ, 1/2 W

Use for current limited monitoring applications, refer to diagram below

T-Sense Input Operating Modes

Common Circuit Status Modes

Circuit Status	Device Status	Panel Display
Normal	Switches open	Normal
Open circuit	Wiring discontinuity	Trouble

Damper Position Monitoring Status Modes

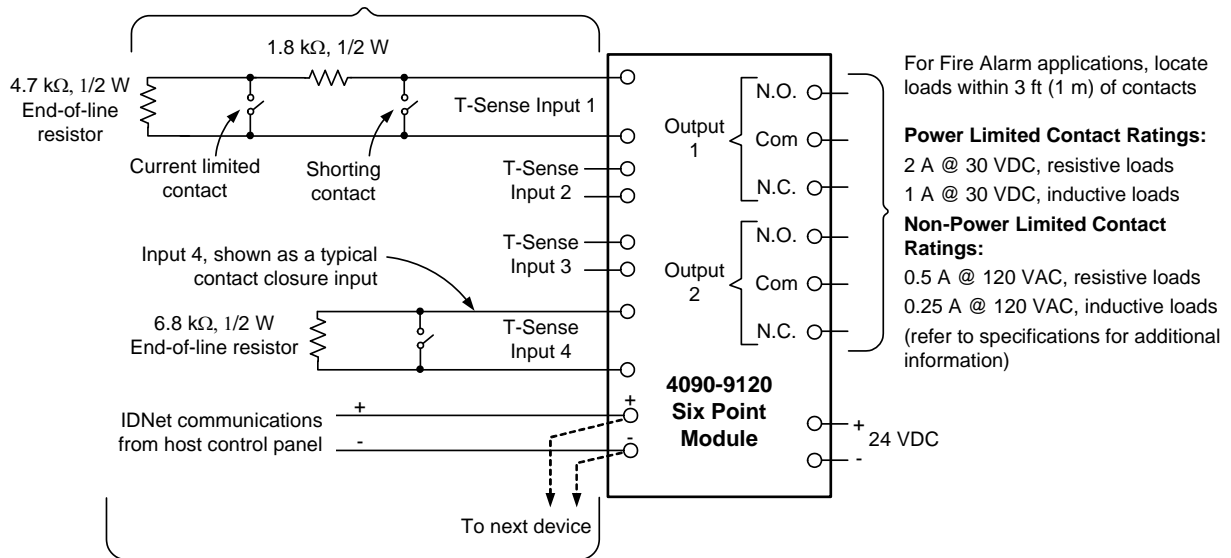
Circuit Status	Device Status	Typical Panel Display
Short	Switch A closed	Damper Closed
Current Limited	Switch B closed	Damper Open

Waterflow and Tamper Switch Monitoring Status Modes

Circuit Status	Device Status	Panel Display
Short	Waterflow switch closed	Fire Alarm
Current Limited	Tamper switch closed	Supervisory

Wiring Reference

Maximum distance to contacts is 500 ft (152 m) (inputs are for indoor wiring only)

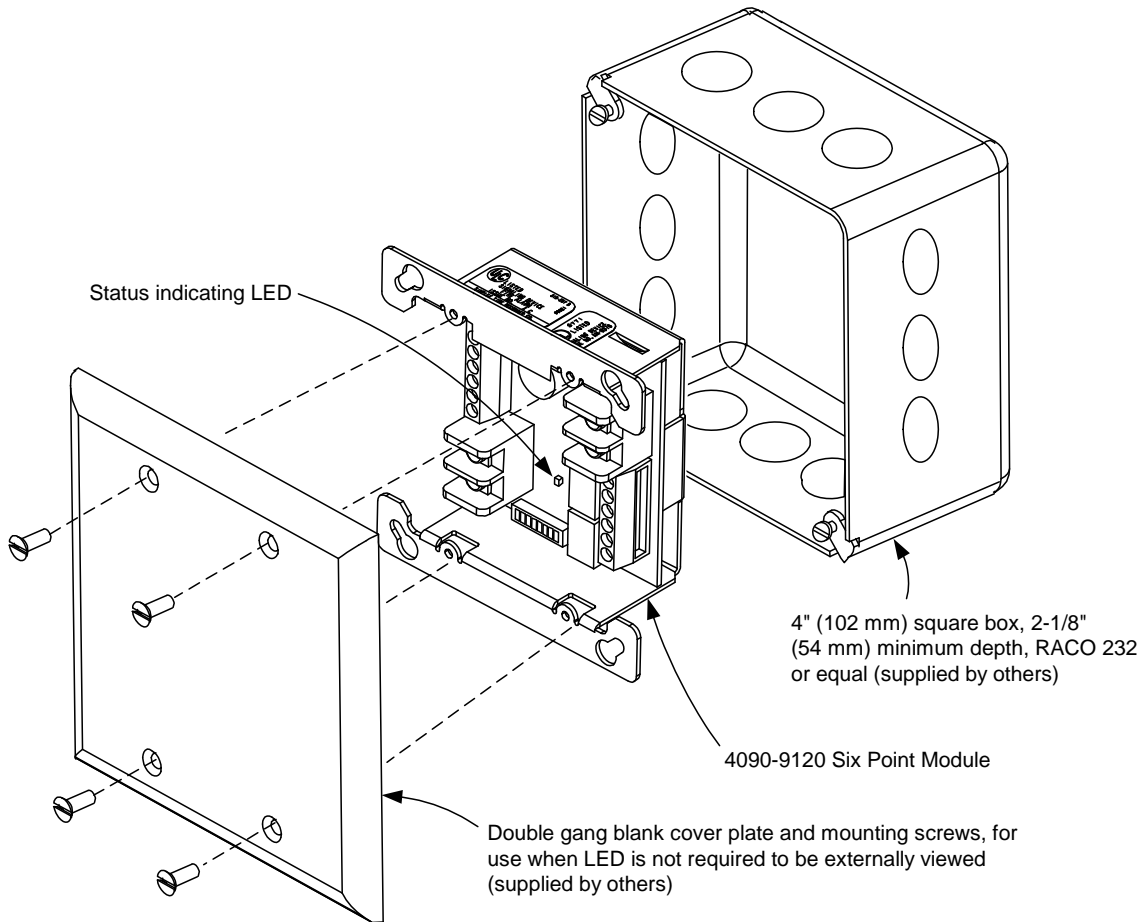


IDNet Wiring Distances:

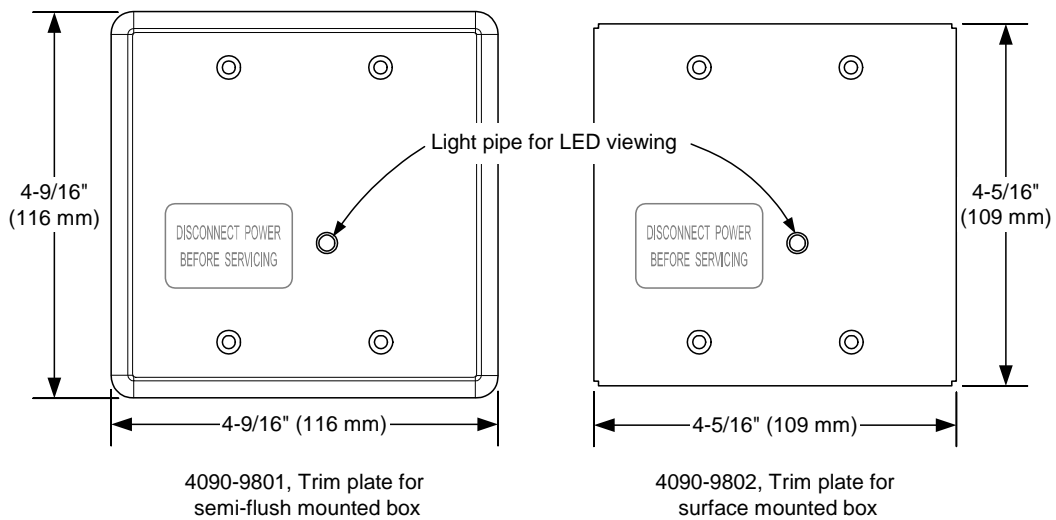
- Up to 2500 ft (762 m) from host control panel.
- Up to 10,000 ft (3048 m) total wiring distance, including "T" taps.

NOTE: Refer to Installation Instructions 574-876 for detailed installation information.

Mounting Information



Mounting Reference, Double Gang Blank Cover Plate



Optional Trim Plates for Visible LED

Specifications

Electrical

Communications	4100ES/4100U/4010ES IDNet, one address		
Input Power	Voltage	18 to 32 VDC (nominal 24 VDC)	
	Current	30 mA maximum @ 24 VDC from listed fire alarm power supply	
Point Allocation Reference	Point Type	MLPTIO	
	I/O Point Usage per Panel	6; 1 per relay, 1 per input	
	Public Points Usage	up to 7; 1 per relay, 1 per input, 1 for trouble; for points mapped to the Fire Alarm Network	
Input Requirements	Normally open dry contacts		
	Up to 500 ft (152 m) total distance from Six Point Module		
	For indoor wiring applications only		
Input Supervision Resistors	Two required per T-sense input, refer to page 2 and to Installation Instructions 574-876 for additional information and wiring detail		
Wire Connections	Screw terminals for input and output wiring, 18 to 14 AWG wire (0.82 mm ² to 2.08 mm ²)		
Relay Contact Ratings* Form C (SPDT) (not rated for incandescent switching)	Power-Limited	2 A @ 30 VDC, resistive	from listed fire alarm supply
		1 A @ 30 VDC, inductive	
	Nonpower-Limited	0.5 A @ 120 VAC, resistive	
		0.25 A @ 120 VAC, inductive	
IDNet Wiring Distance Reference	Up to 2500 ft (762 m) from the fire alarm control panel		
	Up to 10,000 ft (3048 m) total Class B wiring distance including T-Taps		
	Compatible with 2081-9044 Overvoltage Protectors		

* Provide circuit fusing and transient suppression as required per application. DC inductive loads can typically be diode suppressed; 120 VAC loads may require RC networks or varistors, depending on device type. Refer to Installation Instructions 574-876 for additional information.

Mechanical

Dimensions	4-1/8" H x 4-1/8" W x 1-3/8" D (105 mm x 105 mm x 35 mm)
Mounting Bracket	Galvanized sheet metal
Temperature	32° to 120° F (0° to 49° C) indoor operation only
Humidity Range	10 to 90% RH at 90° F (32° C)
Installation Instructions	574-876