

L-Series Indoor Horns, Strobes, and Horn Strobes

The L-Series audible visible notification products offers the most versatile and easy-to-use line of horns, strobes, and horn strobes in the industry with lower current draws and modern aesthetics. With white and red plastic housings, standard and compact devices, and plain, FIRE, and FUEGO-printed devices, System Sensor L-Series can meet virtually any application requirement.

The L-Series line of wall-mount horns, strobes, and horn strobes include a variety of features that increase their application versatility while simplifying installation. All devices feature plug-in designs with minimal intrusion into the back box, making installations fast and foolproof while virtually eliminating costly and time-consuming ground faults.

To further simplify installation and protect devices from construction damage, the L-Series utilizes a universal mounting plate for all models with an onboard shorting spring, so installers can test wiring continuity before the device is installed.

Installers can also easily adapt devices to a suit a wide range of application requirements using field-selectable candela settings, automatic selection of 12- or 24-volt operation, and a rotary switch for horn tones with two volume selections.



INDOOR SELECTABLE-OUTPUT HORNS, STROBES, AND HORN STROBES FOR WALL APPLICATIONS

FEATURES & BENEFITS

- Updated Modern Aesthetics
- Offers small profile devices for horns and horn strobes
- Color lens attachments for use with clear lens wall or ceiling strobe
- Designed with tamper-resistant construction
- Meets DoD specification requirements
- Features a plug-in design with minimal intrusion into the back box
- Horn rated at 88+ dBA at 16 volts
- Supports rotary switch for horn tone and two volume selections
- Automatic selection of 12- or 24-volt operation at 15 and 30 candela
- Uses field-selectable candela settings on wall units: 15, 30, 75, 95, 110, 135, 185
- Mounting plate for all standard and all compact wall units
- Mounting plate shorting spring checks wiring continuity before device installation
- Supports electrically compatible with existing SpectrAlert and SpectAlert Advance devices
- Compatible with System Sensor synchronization protocol
- Listed for wall mounting only

L-SERIES SPECIFICATIONS ARCHITECT/ENGINEER SPECIFICATIONS

GENERAL

L-Series standard horns, strobes, and horn strobes shall mount to a standard 2 x 4 x 1 7/8-inch back box, 4 x 4 x 1 1/2-inch back box, 4-inch octagon back box, or double-gang back box. L-Series compact products shall mount to a single-gang 2 x 4 x 1 7/8-inch back box. A universal mounting plate shall be used for mounting ceiling and wall products for all standard models and a separate universal mounting plate shall be used for mounting wall compact models. The notification appliance circuit wiring shall terminate at the universal mounting plate. Also, L-Series products, when used with the Sync•Circuit™ Module accessory, shall be powered from a non-coded notification appliance circuit output and shall operate on a nominal 12 or 24 volts. When used with the Sync•Circuit Module, 12-volt-rated notification appliance circuit outputs shall operate between 8.5 and 17.5 volts; 24-volt-rated notification appliance circuit outputs shall operate between 16.5 and 33 volts. Indoor L-Series products shall operate between 32 and 120 degrees Fahrenheit from a regulated DC or full-wave rectified unfiltered power supply. Strobes and horn strobes shall have field-selectable candela settings including 15, 30, 75, 95, 110, 135, and 185.

STROBE

The strobe shall be a System Sensor L-Series Model _____ listed to UL 1971 and shall be approved for fire protective service. The strobe shall be wired as a primary-signaling notification appliance and comply with the Americans with Disabilities Act requirements for visible signaling appliances, flashing at 1 Hz over the strobe's entire operating voltage range. The strobe light shall consist of a xenon flash tube and associated lens/reflector system.

HORN STROBE COMBINATION

The horn strobe shall be a System Sensor L-Series Model _____ listed to UL 1971 and UL 464 and shall be approved for fire protective service. The horn strobe shall be wired as a primary-signaling notification appliance and comply with the Americans with Disabilities Act requirements for visible signaling appliances, flashing at 1 Hz over the strobe's entire operating voltage range. The strobe light shall consist of a xenon flash tube and associated lens/reflector system. The horn shall have two audibility options and an option to switch between a temporal three pattern and a non-temporal (continuous) pattern. These options are set by a multiple position switch. The horn on horn strobe models shall operate on a coded or non-coded power supply.

SYNCHRONIZATION MODULE

The module shall be a System Sensor Sync•Circuit model MD L3 listed to UL 464 and shall be approved for fire protective service. The module shall synchronize L-Series strobes at 1 Hz and horns at temporal three. Also, while operating the strobes, the module shall silence the horns on horn strobe models over a single pair of wires. The module shall mount to a 4 11/16 x 4 11/16 x 2 1/8-inch back box. The module shall also control two Style Y (class B) circuits or one Style Z (class A) circuit. The module shall synchronize multiple zones. Daisy chaining two or more synchronization modules together will synchronize all the zones they control. The module shall not operate on a coded power supply.

PHYSICAL

Wall-Mount Dimensions (including lens): 5.6" L x 4.7" W x 1.25" D (143 mm L x 119 mm W x 32 mm D)

Compact Wall-Mount Dimensions (including lens): 5.26" L x 3.46" W x 1.93" D (133 mm L x 88 mm W x 49 mm D)

Horn Dimensions: 5.6" L x 4.7" W x 1.25" D (143 mm L x 119 mm W x 32 mm D)

Compact Horn Dimensions: 5.25" L x 3.45" W x 1.25" D (133mm L x 88mm W x 32mm D)

AGENCY LISTINGS AND APPROVALS

UL: Listed

FM: Approved

CSFM: Listed

ELECTRICAL SPECIFICATIONS

Strobe Flash Rate: 1 flash per second

Nominal Voltage Regulated: 12VDC or regulated 24DC/FWR1

Operating Voltage Range²: 8 to 17.5 V (12 V nominal) or 16 to 33 V (24 V nominal)

Operating Voltage Range (MDL3) Sync Module: 8.5 to 17.5V (12 V nominal) or 16.5 to 33 V (24V nominal)

Input Terminal Wire Gauge: 12 to 18 AWG

ENVIRONMENTAL

Standard Operating Temperature: 32°F to 120°F (0°C to 49°C)

Humidity Range: 10 to 93% non-condensing

Notes:

1. Full Wave Rectified (FWR) voltage is a non-regulated, time-varying power source that is used on some power supply and panel outputs.
2. P, S, PC, and SC products will operate at 12 V nominal only for 15 and 30 cd.

UL MAX HORN CURRENT DRAW (mA RMS)

SOUND PATTERN	DB	8-17.5V		16-33V	
		DC	DC	FWR	
Temporal	High	39	44	54	
Temporal	Low	28	32	54	
Non-Temporal	High	43	47	54	
Non-Temporal	Low	29	32	54	
Non-Temporal	Low	29	32	54	
3.1 KHz Temporal	High	39	41	54	
3.1 KHz Temporal	Low	29	32	54	
3.1 KHz Non-Temporal	High	42	43	54	
3.1 KHz Non-Temporal	Low	28	29	54	
Coded	High	43	47	54	
3.1 KHz Coded	High	42	43	54	

UL MAX STROBE CURRENT DRAW (mA RMS)

	CANDELA	8-17.5V		16-33V	
		DC	DC	FWR	
CANDELA RANGE	15	88	43	60	
	30	143	63	83	
	75	N/A	107	136	
	95	N/A	121	155	
	110	N/A	148	179	
	135	N/A	172	209	
	185	N/A	222	257	

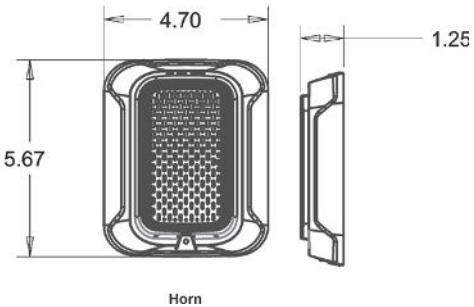
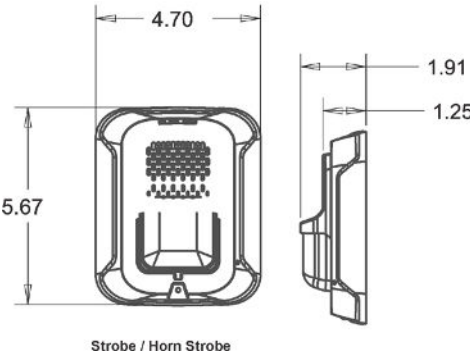
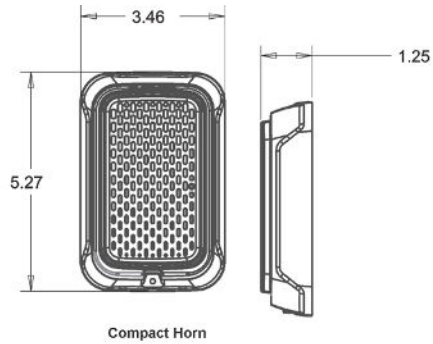
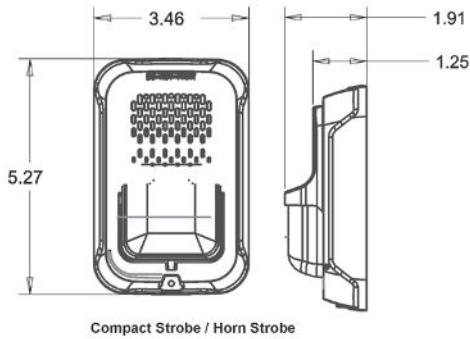
UL MAX CURRENT DRAW (mA RMS), 2-WIRE HORN STROBE, CANDELA RANGE (15-115 CD)

DC INPUT	8-17.5V		16-33V						
	15CD	30CD	15CD	30CD	75CD	95CD	110CD	135CD	185CD
EM Temp Hi	98	158	54	74	121	142	162	196	245
EM Temp Low	93	154	44	65	111	133	157	184	235
EM Cont Hi	106	166	73	94	139	160	182	211	262
EM Cont Low	93	156	51	71	119	139	162	190	239
3.1K Temp Hi	93	156	53	73	119	140	164	190	242
3.1K Temp Low	91	154	45	66	112	133	160	185	235
3.1K Cont Hi	99	162	69	90	135	157	175	208	261
3.1K Cont Low	93	156	52	72	119	138	162	192	242
16VFWR									
SWITCH POSITION	15CD	30CD	75CD	95CD	110CD	135CD	185CD		
EM Temp Hi	83	107	156	177	198	234	287		
EM Temp Low	68	91	145	165	185	223	271		
EM Cont Hi	111	135	185	207	230	264	316		
EM Cont Low	79	104	157	175	197	235	283		
3.1K Temp Hi	81	105	155	177	196	234	284		
3.1K Temp Low	68	90	145	166	186	222	276		
3.1K Cont Hi	104	131	177	204	230	264	326		
3.1K Cont Low	77	102	156	177	199	234	291		

HORN AND HORN STROBE OUTPUT (DBA)

SWITCH POSITION	SOUND PATTERN	DB	8-17.5V	16-33V	FWR
			DC	DC	
1	Temporal	High	84	89	89
2	Temporal	Low	75	83	83
3	Non-Temporal	High	85	90	90
4	Non-Temporal	Low	76	84	84
5	3.1 KHz Temporal	High	83	88	88
6	3.1 KHz Temporal	Low	76	82	82
7	3.1 KHz Non-Temporal	High	84	89	89
8	3.1 KHz Non-Temporal	Low	77	83	83
9	Coded	High	85	90	90
10	3.1 KHz Coded	High	84	89	89

L-SERIES DIMENSIONS



L-SERIES ORDERING INFORMATION

WALL HORN STROBES

- P2RL: 2-Wire, Horn Strobe, Red
- P2WL: 2-Wire, Horn Strobe, White
- P2GRL: 2-Wire, Compact Horn Strobe, Red
- P2GWL: 2-Wire, Compact Horn Strobe, White
- P2RL-P: 2-Wire, Horn Strobe, Red, Plain
- P2WL-P: 2-Wire, Horn Strobe, White, Plain
- P2RL-SP: 2-Wire, Horn Strobe, Red, FUEGO
- P2WL-SP: 2-Wire, Horn Strobe, White, FUEGO

WALL STROBES

- SRL: Strobe, Red
- SWL: Strobe, White
- SGRL: Compact Strobe, Red
- SGWL: Compact Strobe, White
- SRL-P: Strobe, Red, Plain
- SWL-P: Strobe, White, Plain
- SRL-SP: Strobe, Red, FUEGO
- SWL-CLR-ALERT: Strobe, White, ALERT

For more information

Learn more about Honeywell's Farenhyt Series and other products available by visiting www.farenhyt.com

Honeywell Security & Fire

12 Clintonville Road
 Northford, CT 06472
 800-328-0103

HORNS

- HRL: Horn, Red
- HWL: Horn, White
- HGRL: Compact Horn, Red
- HGWL: Compact Horn, White

ACCESSORIES

- TR-2: Universal Wall Trim Ring Red
- TR-2W: Universal Wall Trim Ring, wht
- SBBRL: Wall Surface Mount Back Box, Red
- SBBWL: Wall Surface Mount Back Box, White
- SBBGRL: Compact Wall Surface Mount Back Box, Red
- SBBGWL: Compact Wall Surface Mount Back Box, White

Note:

All - P models having a plain housing (no "FIRE" marking on cover.
 All-SP models have "FUEGO" marking on cover
 All -ALERT models have "ALERT" marking on cover

For a complete listing of all compliance approvals and certifications, please visit www.farenhyt.com.

Microsoft, Windows, and the Windows Logo are registered trademarks or trademarks of Microsoft Corporation.

Honeywell® and System Sensor® are registered trademark of and Farenhyt™ is a trademark of Honeywell International, Inc.

This document is not intended to be used for installation purposes. We try to keep our product information up-to date and accurate. We cannot cover all specific applications or anticipate all requirements. All specifications are subject to change without notice.

For Technical Support, Please call 800-446-6444.