



Outdoor Selectable-Output Horns, Strobes, and Horn Strobes for Wall Applications

SpectrAlert® Advance outdoor audible visible products are rich with features that cut installation times and maximize profits.



Features

- Weatherproof per NEMA 4X, IP56
- Listed to UL 1638 (strobe) and UL 464 (horn)
- Compatible with System Sensor synchronization protocol and legacy SpectrAlert products
- Field-selectable candela settings: 15, 15/75, 30, 75, 95, 110, 115, 135, 150, 177, and 185
- Automatic selection of 12- or 24-volt operation at 15 and 15/75 candela
- Rotary switch for horn tone and three volume selections
- Horn rated at 88+ dBA at 16 volts
- Rated from -40°F to 151°F
- Universal mounting plate with an onboard shorting spring that tests wiring continuity before devices are installed
- Plug-in design with minimal intrusion into the back box
- Tamper-resistant construction

Agency Listings



S4011 (chimes, horn strobes, horns)
S3593 (outdoor and alert strobes)



ME4452-05-E



7300-1653-187 (outdoor strobes)
7125-1653-188 (horn strobes,
chime strobes)
7135-1653-189 (horns, chimes)

SpectrAlert Advance offers the broadest line of outdoor horns, strobes, and horn strobes in the industry. With white or red plastic housings, wall or ceiling mounting options, and plain or FIRE-printed devices, SpectrAlert Advance can meet virtually any application requirement, including indoor, outdoor, wet, and dry applications in temperatures from -40°F to 151°F.

Like the entire SpectrAlert Advance line, outdoor horns, strobes, and horn strobes for wall applications include a variety of features that increase application flexibility and simplify installation. First, field-selectable settings, including candela, automatic selection of 12- or 24-volt operation, horn tones, and three volume options enable installers to easily adapt devices to meet requirements.

Next, SpectrAlert Advance devices use a universal mounting plate for both wall and ceiling applications. This mounting plate includes an onboard shorting spring that ensures wiring continuity before devices are installed, so installers can verify proper wiring without mounting the devices and exposing them to potential construction damage. Once the plates are mounted, all SpectrAlert Advance devices utilize a plug-in design with a single captured screw to speed installation and virtually eliminate costly ground faults.

Outdoor devices ship with weatherproof plastic back boxes (metal back boxes are available separately) that accommodate in-and-out wiring for daisy chaining devices. Plastic back boxes feature removable side flanges and improved resistance to saltwater corrosion. Knock-outs located on the back eliminate the need to drill holes for screw-in mounting. Plastic and metal weatherproof back boxes come with 3/4-inch top and bottom conduit entries and 3/4-inch knock-outs at the back. A screw-in NPT plug with an O-ring gasket for a watertight seal is included with each back box.

SpectrAlert Advance Outdoor Horn, Strobe, and Horn Strobe Specifications

Architect/Engineer Specifications

General

SpectrAlert Advance outdoor horns, strobes, and horn strobes shall mount to a weatherproof back box. A universal mounting plate shall be used for mounting ceiling and wall products. The notification appliance circuit wiring shall terminate at the universal mounting plate. Also, SpectrAlert Advance products, when used with the Sync-Circuit™ Module accessory, shall be powered from a non-coded notification appliance circuit output and shall operate on a nominal 12 or 24 volts. When used with the Sync-Circuit Module, 12-volt-rated notification appliance circuit outputs shall operate between 9 and 17.5 volts; 24-volt-rated notification appliance circuit outputs shall operate between 17 and 33 volts. Outdoor SpectrAlert Advance products shall operate between –40 and 151 degrees Fahrenheit from a regulated DC or full-wave rectified unfiltered power supply. Strobes and horn strobes shall have field-selectable candela settings including 15, 15/75, 30, 75, 95, 110, 115, 135, 150, 177, and 185.

Strobe

The strobe shall be a System Sensor SpectrAlert Advance Model _____ listed to UL 1971 and shall be approved for fire protective service. The strobe shall be wired as a primary-signaling notification appliance and comply with the Americans with Disabilities Act requirements for visible signaling appliances, flashing at 1 Hz over the strobe's entire operating voltage range. The strobe light shall consist of a xenon flash tube and associated lens/reflector system. The strobe must be installed with its weatherproof back box in order to remain outdoor approved per UL. The strobe shall be suitable for use in wet environments.

Horn Strobe Combination

The horn strobe shall be a System Sensor SpectrAlert Advance Model _____ listed to UL 1971 and UL 464 and shall be approved for fire protective service. The horn strobe shall be wired as a primary-signaling notification appliance and comply with the Americans with Disabilities Act requirements for visible signaling appliances, flashing at 1 Hz over the strobe's entire operating voltage range. The strobe light shall consist of a xenon flash tube and associated lens/reflector system. The horn shall have three audibility options and an option to switch between a temporal three pattern and a non-temporal (continuous) pattern. These options shall be set by a multiple position switch. On four-wire products, the strobe shall be powered independently of the sounder. The horn or horn strobe models shall operate on a coded or non-coded power supply. The horn strobe must be installed with its weatherproof back box in order to remain outdoor approved per UL. The horn strobe shall be suitable for use in wet environments.

Physical/Electrical Specifications

| | |
|---|--|
| Operating Temperature | –40°F to 151°F (–40°C to 66°C) |
| Strobe Flash Rate | 1 flash per second |
| Nominal Voltage | Regulated 12 DC/FWR or regulated 24 DC/FWR ¹ |
| Operating Voltage Range² | 8 to 17.5 V (12 V nominal) or 16 to 33 V (24 V nominal) |
| Input Terminal Wire Gauge | 12 to 18 AWG |
| Wall-Mount Dimensions (including lens) | 5.6" L x 4.7" W x 2.5" D (142 mm L x 119 mm W x 64 mm D) |
| Horn Dimensions | 5.6" L x 4.7" W x 1.3" D (142 mm L x 119 mm W x 33 mm D) |
| Wall-Mount Weatherproof Back Box Dimensions (SA-WBB) | 5.7" L x 5.1" W x 2.0" D (145 mm L x 130 mm W x 51 mm D) |

Notes:

1. Full Wave Rectified (FWR) voltage is a non-regulated, time-varying power source that is used on some power supply and panel outputs.
2. P, S, PC, and SC products will operate at 12 V nominal only for 15 and 15/75 cd.

UL Current Draw Data

| UL Max. Strobe Current Draw (mA RMS) | | | | | | UL Max. Horn Current Draw (mA RMS) | | | | | |
|--------------------------------------|---------|--------------|-----|-------------|-----|------------------------------------|--------|--------------|-----|-------------|-----|
| | Candela | 8–17.5 Volts | | 16–33 Volts | | Sound Pattern | dB | 8–17.5 Volts | | 16–33 Volts | |
| | | DC | FWR | DC | FWR | | | DC | FWR | DC | FWR |
| Standard Candela Range | 15 | 123 | 128 | 66 | 71 | Temporal | High | 57 | 55 | 69 | 75 |
| | 15/75 | 142 | 148 | 77 | 81 | Temporal | Medium | 44 | 49 | 58 | 69 |
| | 30 | NA | NA | 94 | 96 | Temporal | Low | 38 | 44 | 44 | 48 |
| | 75 | NA | NA | 158 | 153 | Non-Temporal | High | 57 | 56 | 69 | 75 |
| | 95 | NA | NA | 181 | 176 | Non-Temporal | Medium | 42 | 50 | 60 | 69 |
| | 110 | NA | NA | 202 | 195 | Non-Temporal | Low | 41 | 44 | 50 | 50 |
| | 115 | NA | NA | 210 | 205 | Coded | High | 57 | 55 | 69 | 75 |
| High Candela Range | 135 | NA | NA | 228 | 207 | Coded | Medium | 44 | 51 | 56 | 69 |
| | 150 | NA | NA | 246 | 220 | Coded | Low | 40 | 46 | 52 | 50 |
| | 177 | NA | NA | 281 | 251 | | | | | | |
| | 185 | NA | NA | 286 | 258 | | | | | | |

| UL Max. Current Draw (mA RMS), 2-Wire Horn Strobe, Standard Candela Range (15–115 cd) | | | | | | | | | | |
|---|--------------|-------|-------------|-------|-----|-----|-----|-----|-----|--|
| DC Input | 8–17.5 Volts | | 16–33 Volts | | 30 | 75 | 95 | 110 | 115 | |
| | 15 | 15/75 | 15 | 15/75 | | | | | | |
| Temporal High | 137 | 147 | 79 | 90 | 107 | 176 | 194 | 212 | 218 | |
| Temporal Medium | 132 | 144 | 69 | 80 | 97 | 157 | 182 | 201 | 210 | |
| Temporal Low | 132 | 143 | 66 | 77 | 93 | 154 | 179 | 198 | 207 | |
| Non-Temporal High | 141 | 152 | 91 | 100 | 116 | 176 | 201 | 221 | 229 | |
| Non-Temporal Medium | 133 | 145 | 75 | 85 | 102 | 163 | 187 | 207 | 216 | |
| Non-Temporal Low | 131 | 144 | 68 | 79 | 96 | 156 | 182 | 201 | 210 | |
| FWR Input | | | | | | | | | | |
| Temporal High | 136 | 155 | 88 | 97 | 112 | 168 | 190 | 210 | 218 | |
| Temporal Medium | 129 | 152 | 78 | 88 | 103 | 160 | 184 | 202 | 206 | |
| Temporal Low | 129 | 151 | 76 | 86 | 101 | 160 | 184 | 194 | 201 | |
| Non-Temporal High | 142 | 161 | 103 | 112 | 126 | 181 | 203 | 221 | 229 | |
| Non-Temporal Medium | 134 | 155 | 85 | 95 | 110 | 166 | 189 | 208 | 216 | |
| Non-Temporal Low | 132 | 154 | 80 | 90 | 105 | 161 | 184 | 202 | 211 | |

| UL Max. Current Draw (mA RMS), 2-Wire Horn Strobe, High Candela Range (135–185 cd) | | | | | | | | | | |
|--|-------------|-----|-----|-----|---------------------|-------------|-----|-----|-----|--|
| DC Input | 16–33 Volts | | | | FWR Input | 16–33 Volts | | | | |
| | 135 | 150 | 177 | 185 | | 135 | 150 | 177 | 185 | |
| Temporal High | 245 | 259 | 290 | 297 | Temporal High | 215 | 231 | 258 | 265 | |
| Temporal Medium | 235 | 253 | 288 | 297 | Temporal Medium | 209 | 224 | 250 | 258 | |
| Temporal Low | 232 | 251 | 282 | 292 | Temporal Low | 207 | 221 | 248 | 256 | |
| Non-Temporal High | 255 | 270 | 303 | 309 | Non-Temporal High | 233 | 248 | 275 | 281 | |
| Non-Temporal Medium | 242 | 259 | 293 | 299 | Non-Temporal Medium | 219 | 232 | 262 | 267 | |
| Non-Temporal Low | 238 | 254 | 291 | 295 | Non-Temporal Low | 214 | 229 | 256 | 262 | |

Candela Derating

For K series products used at low temperatures, listed candela ratings must be reduced in accordance with this table.

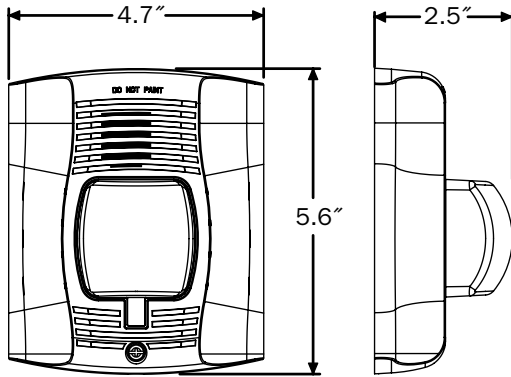
| Strobe Output (cd) | |
|--------------------|-------------------------|
| Listed Candela | Candela rating at –40°F |
| 15 | Do not use below 32°F |
| 15/75 | |
| 30 | |
| 75 | |
| 95 | 44 |
| 110 | 70 |
| 115 | 110 |
| 135 | 115 |
| 150 | 135 |
| 177 | 150 |
| 185 | 177 |
| | 185 |

Horn Tones and Sound Output Data

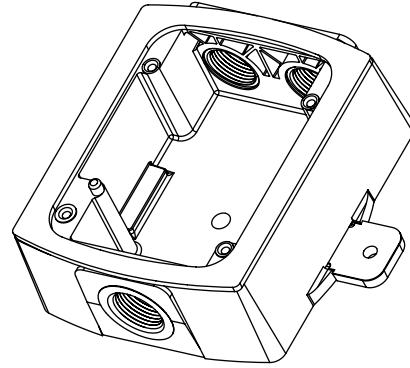
| Horn and Horn Strobe Output (dBA) | | | | | | | | | | | |
|-----------------------------------|---------------|--------|--------------|-----|-------------|-----|-----------------|-----|----------|-----|--|
| Switch Position | Sound Pattern | dB | 8–17.5 Volts | | 16–33 Volts | | 24-Volt Nominal | | | | |
| | | | DC | FWR | DC | FWR | Reverberant | | Anechoic | | |
| | | | | | | | DC | FWR | DC | FWR | |
| 1 | Temporal | High | 78 | 78 | 84 | 84 | 88 | 88 | 99 | 98 | |
| 2 | Temporal | Medium | 74 | 74 | 80 | 80 | 86 | 86 | 96 | 96 | |
| 3 | Temporal | Low | 71 | 73 | 76 | 76 | 83 | 80 | 94 | 89 | |
| 4 | Non-Temporal | High | 82 | 82 | 88 | 88 | 93 | 92 | 100 | 100 | |
| 5 | Non-Temporal | Medium | 78 | 78 | 85 | 85 | 90 | 90 | 98 | 98 | |
| 6 | Non-Temporal | Low | 75 | 75 | 81 | 81 | 88 | 84 | 96 | 92 | |
| 7 [†] | Coded | High | 82 | 82 | 88 | 88 | 93 | 92 | 101 | 101 | |
| 8 [†] | Coded | Medium | 78 | 78 | 85 | 85 | 90 | 90 | 97 | 98 | |
| 9 [†] | Coded | Low | 75 | 75 | 81 | 81 | 88 | 85 | 96 | 92 | |

[†]Settings 7, 8, and 9 are not available on 2-wire horn strobe.

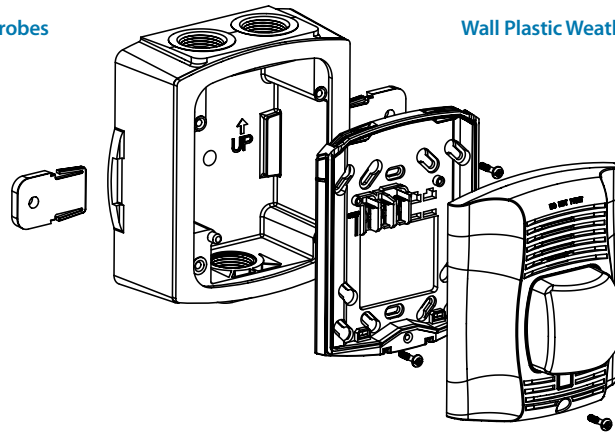
SpectrAlert Advance Diagrams



Wall-Mount Horn Strobes



Wall Plastic Weatherproof Back Box



Wall-Mount Horn Strobe with Plastic Weatherproof Back Box

SpectrAlert Advance Ordering Information

| Model | Description |
|--------------------------|--|
| Wall Horn Strobes | |
| P2RK*† | 2-Wire Horn Strobe, Standard cd, Red, Outdoor (includes plastic outdoor back box) |
| P2RHK*† | 2-Wire Horn Strobe, High cd, Red, Outdoor (includes plastic outdoor back box) |
| P2WK*† | 2-Wire Horn Strobe, Standard cd, White, Outdoor (includes plastic outdoor back box) |
| P2WHK*† | 2-Wire Horn Strobe, High cd, White, Outdoor (includes plastic outdoor back box) |
| P4RK† | 4-Wire Horn Strobe, Standard cd, Red, Outdoor (includes plastic outdoor back box) |
| P4WK | 4-Wire Horn Strobe, Standard cd, White, Outdoor (includes plastic outdoor back box) |
| P2RHK-120 | 2-Wire Horn Strobe, High cd, Red, Outdoor, 120 V (includes plastic outdoor back box) |
| Wall Strobes | |
| SRK*† | Strobe, Standard cd, Red, Outdoor (includes plastic outdoor back box) |
| SRHK*† | Strobe, High cd, Red, Outdoor (includes plastic outdoor back box) |
| SWK*† | Strobe, Standard cd, White, Outdoor (includes plastic outdoor back box) |
| SWHK*† | Strobe, High cd, White, Outdoor (includes plastic outdoor back box) |
| Horns | |
| HRK† | Horn, Red, Outdoor (includes plastic outdoor back box) |
| Accessories | |
| SA-WBB | Red Separate Ship, Wall-Mount, Outdoor Back Box, Metal |
| SA-WBBW | White Separate Ship, Wall-Mount, Outdoor Back Box, Metal |

Notes:

* Add "-P" to model number for plain housing (no "FIRE" marking on cover), e.g., P2RK-P.

† Add "-R" to model number for weatherproof replacement device (no back box included), only for use with weatherproof outdoor flush mounting plate, WTP and WTPW.

"Standard cd" refers to strobes that include 15, 15/75, 30, 75, 95, 110, and 115 candela settings. "High cd" refers to strobes that include 135, 150, 177, and 185 candela settings.

When replacing standard outdoor units both the device and back box must be replaced.



3825 Ohio Avenue • St. Charles, IL 60174
Phone: 800-SENSOR2 • Fax: 630-377-6495

©2011 System Sensor.
Product specifications subject to change without notice. Visit systemsensor.com for current product information, including the latest version of this data sheet.
AVDS01200 • 6/11 • #2813